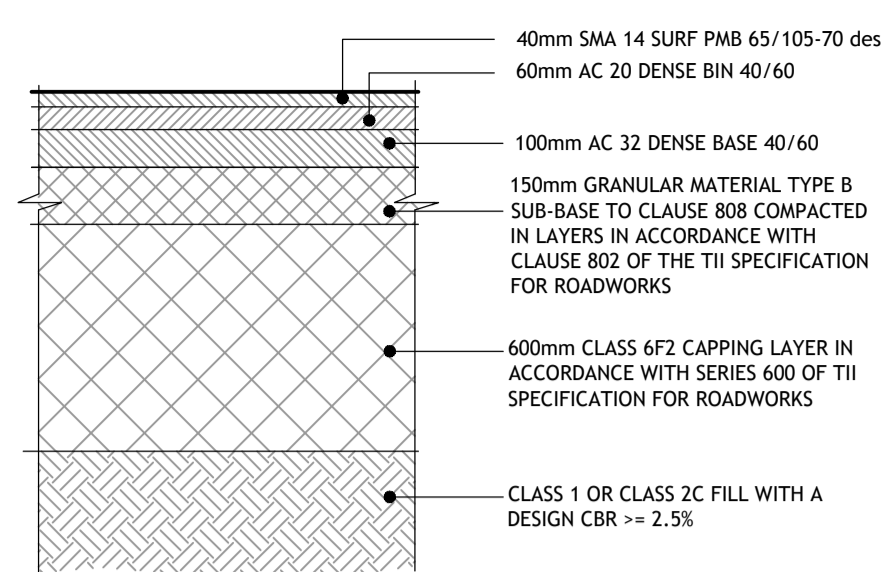
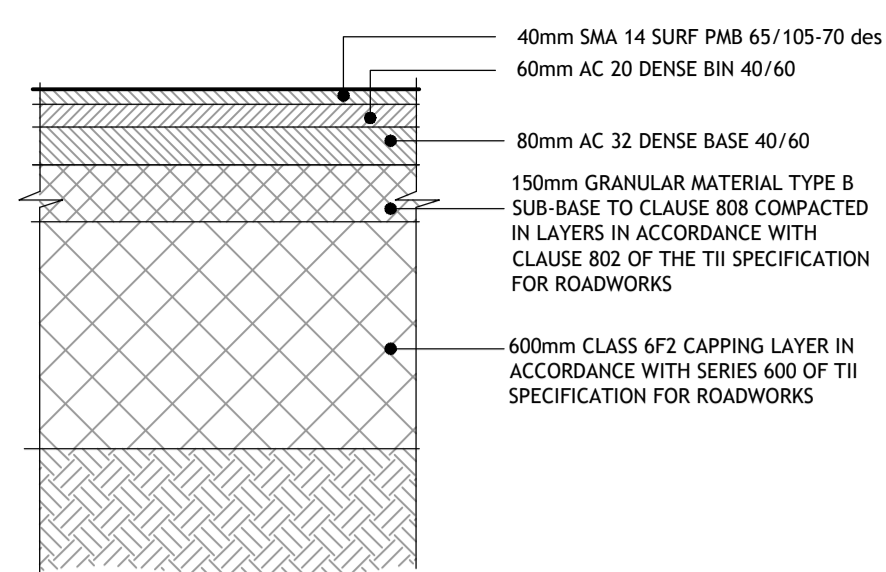


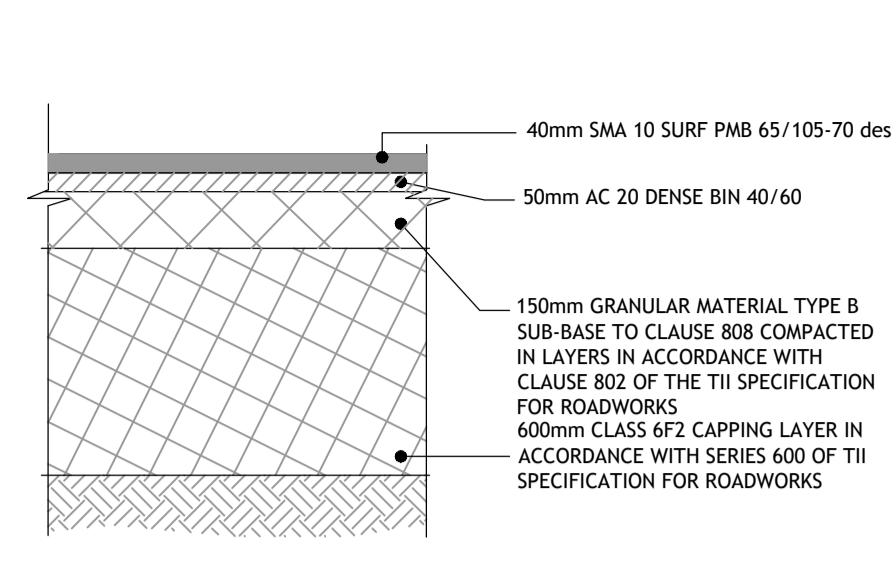
**PROPOSED PAVEMENT TYPE 1 - PERMEABLE PAVING (TRAFFICKED)**  
SCALE: 1:20



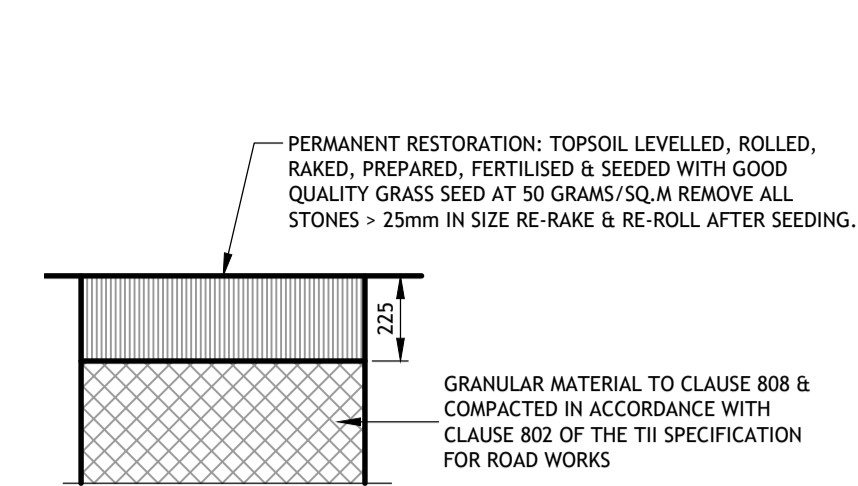
**PROPOSED PAVEMENT TYPE 2 - ASPHALT ROAD (INSOOR ROAD & STREET 21)**  
SCALE: 1:20



**PROPOSED PAVEMENT TYPE 3 - STONE MASTIC ASPHALT (SMA) ROAD**  
SCALE: 1:20



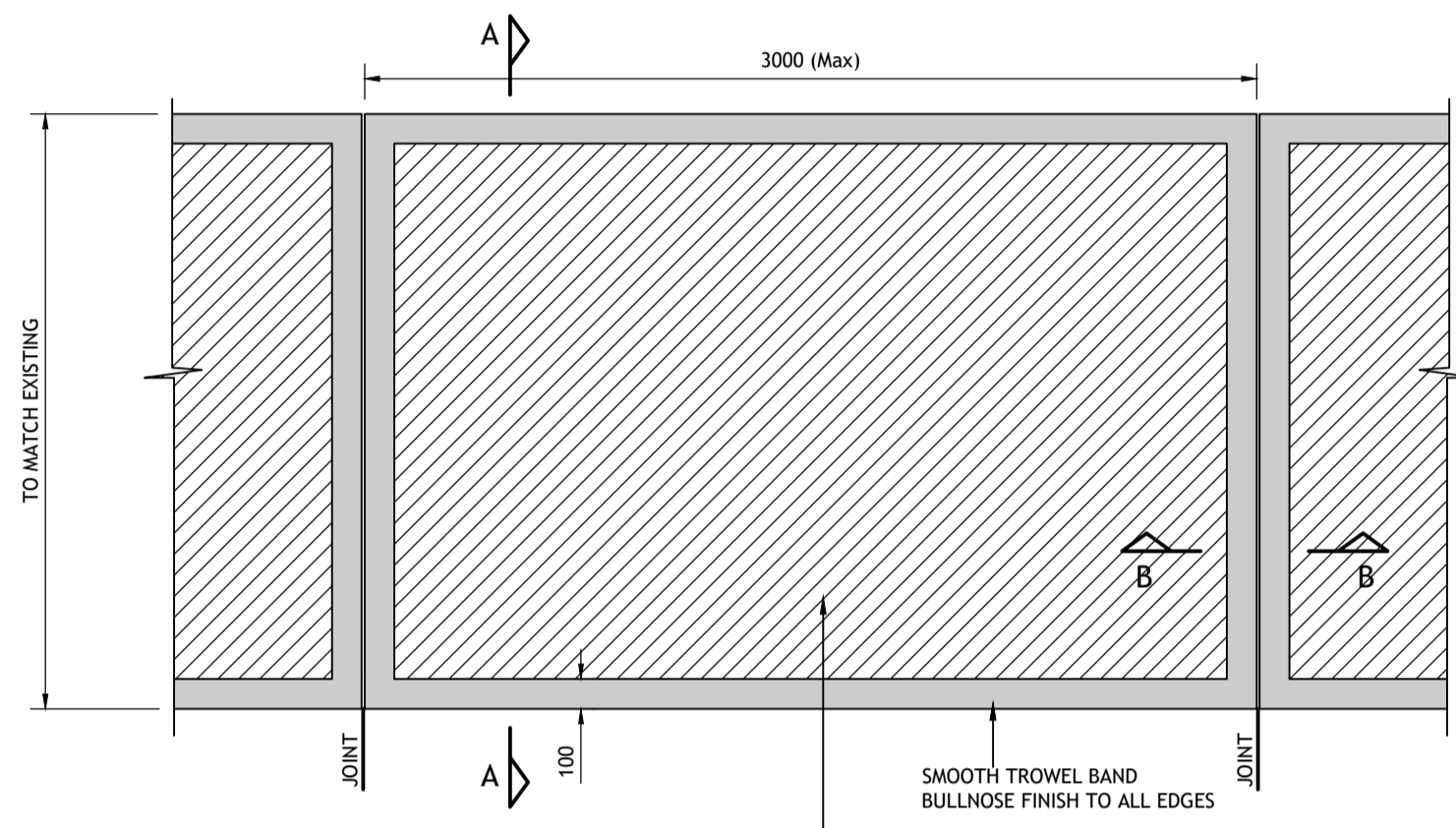
**PROPOSED PAVEMENT TYPE 4 - CYCLETRACK**  
SCALE: 1:20



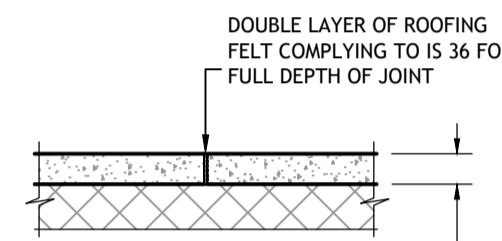
**PERMANENT REINSTATEMENT IN GRASSED AREAS**  
SCALE: 1:20

**NOTE :**

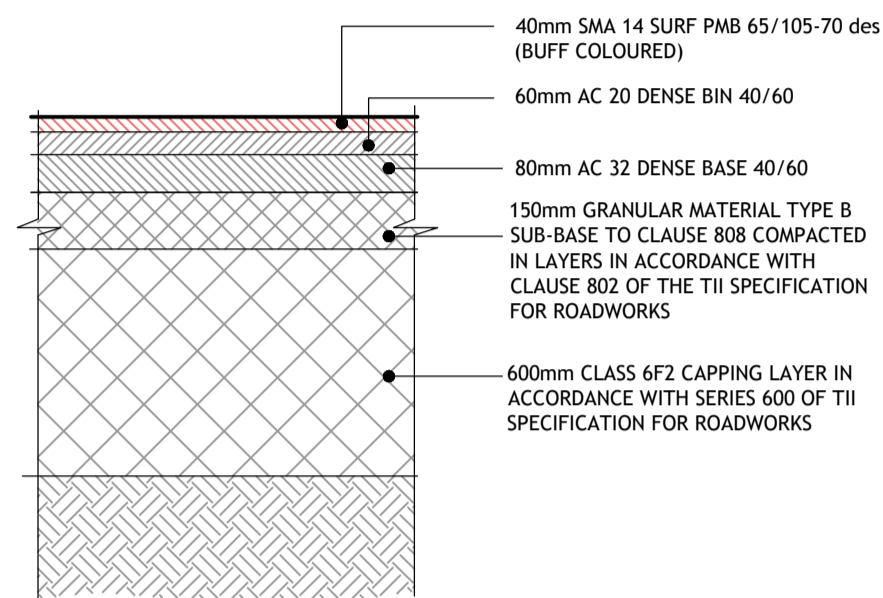
1. PLATE BEARING TESTS TO BE CARRIED OUT BY THE CONTRACTOR 800mm BELOW PROPOSED FINISHED ROAD LEVEL TO ESTABLISH CBR VALUE ON SITE. 450x450 PLATE BEARING TESTS TO BE CARRIED OUT AT 20m x 20m GRID CENTERS ALONG PROPOSED ROAD - RESULTS TO BE SUBMITTED TO ENGINEER FOR REVIEW PRIOR TO PLACEMENT OF ANY GRANULAR MATERIAL
2. SOFT SPOTS TO BE DUG OUT AND BACKFILLED WITH SELECTED GRANULAR FILL TO CLASS 6C OF TABLE 6/1 OF THE TII SPECIFICATION FOR ROADWORKS
3. ALL PAVERS AND ASPHALT SURFACES SHALL BE RESTRAINED BY KERBS OR CONCRETE SLABS



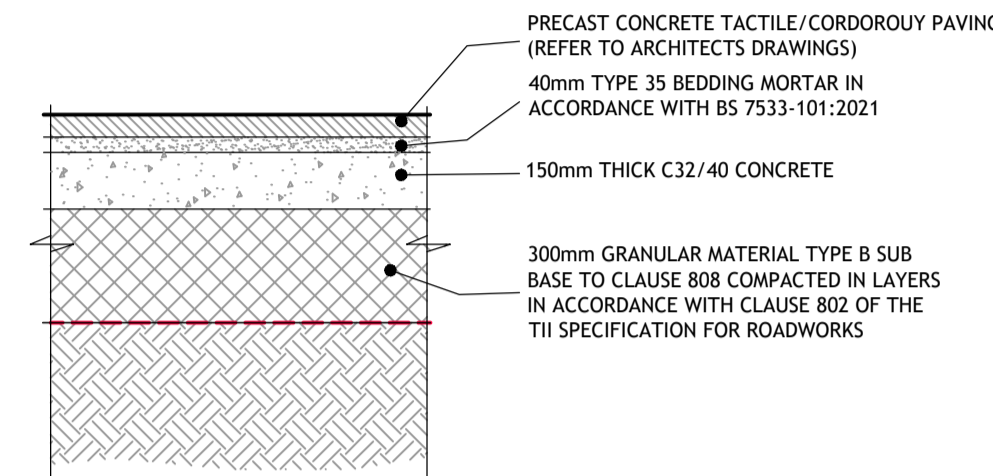
**PLAN**  
SCALE: 1:25



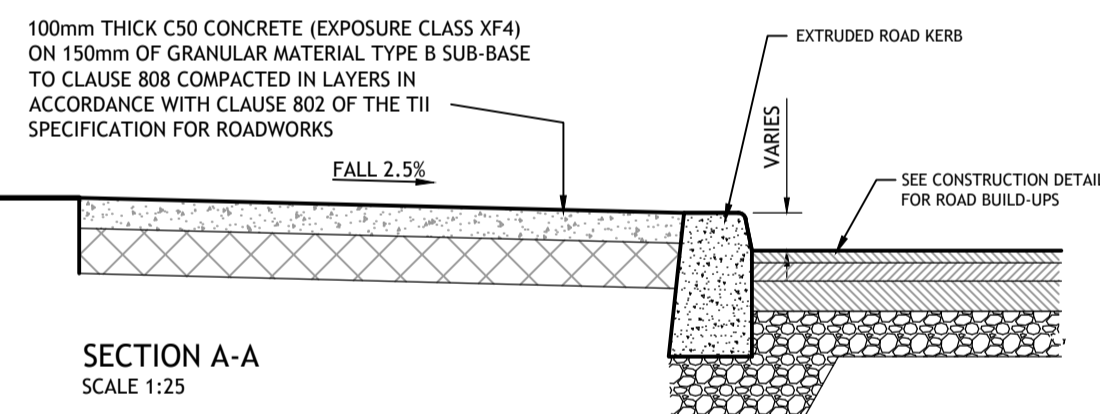
**SECTION B-B (JOINT DETAIL)**  
SCALE: 1:25



**PROPOSED PAVEMENT TYPE 6 - BUFF COLOURED STONE MASTIC ASPHALT (SMA) HOMEZONE ROAD**  
SCALE: 1:20



**PAVEMENT TYPE 7 & 8 - PRECAST CONCRETE TACTILE/CORDOROUY PAVING**  
SCALE: 1:20



**SECTION A-A**  
SCALE: 1:25

**PAVEMENT TYPE 5 - CONCRETE FOOTPATH**  
SCALE: 1:25

**NOTES :**

1. AT VEHICULAR ACCESS POINTS CONCRETE SLAB THICKNESS TO BE 150mm REINFORCED WITH A393 MESH TOP & BOTTOM.
2. AT HCV CROSSING TO THE PARK AREA THE SLAB IS TO BE 200mm THICK WITH A393 MESH TOP AND BOTTOM WITH 150mm SUB-BASE AND 600mm CAPPING MATERIAL TO ENGINEERS SITEWORKS SPECIFICATION
3. ALL CONCRETE EDGES AND JOINTS SHALL HAVE BULLNOSED TROWEL FINISH.

Rev	Amendment	By	Date	Rev	Amendment	By	Date	Client:
C01	ISSUED FOR PLANNING	IBS	2022-03-22					

Project: <b>GREAT CONNELL SHD, NEWBRIDGE</b>			
Title: <b>TYPICAL PAVEMENT BUILD-UP DETAILS</b>			
Drawn: IBS	Date drawn: AUGUST 2021	Technician Check: PJM	Engineer Check: ET
Project No: 192229	Model Ref: 192229-PUNCH-XX-XX-M2-C-0551	Approved: LB	
Scale: AS SHOWN	Document No: 192229-PUNCH-XX-XX-DR-C-0551	Drawing Status: A0 PLANNING	Revision No: C01