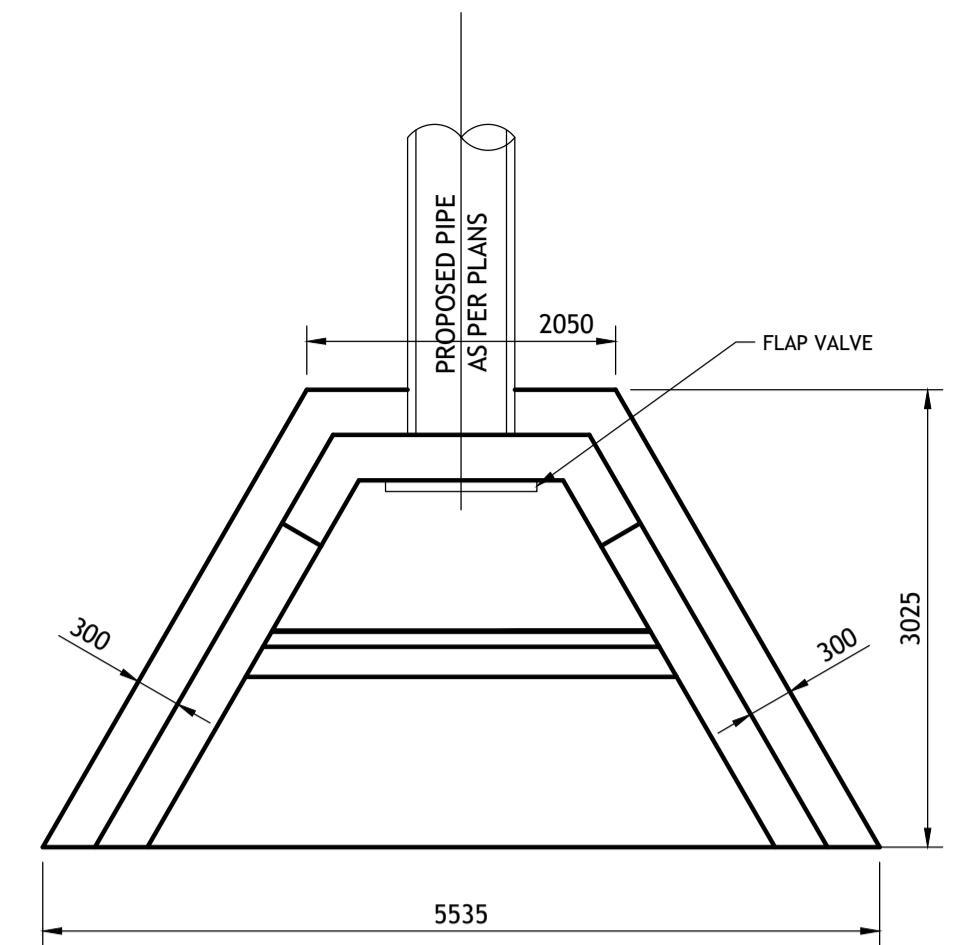


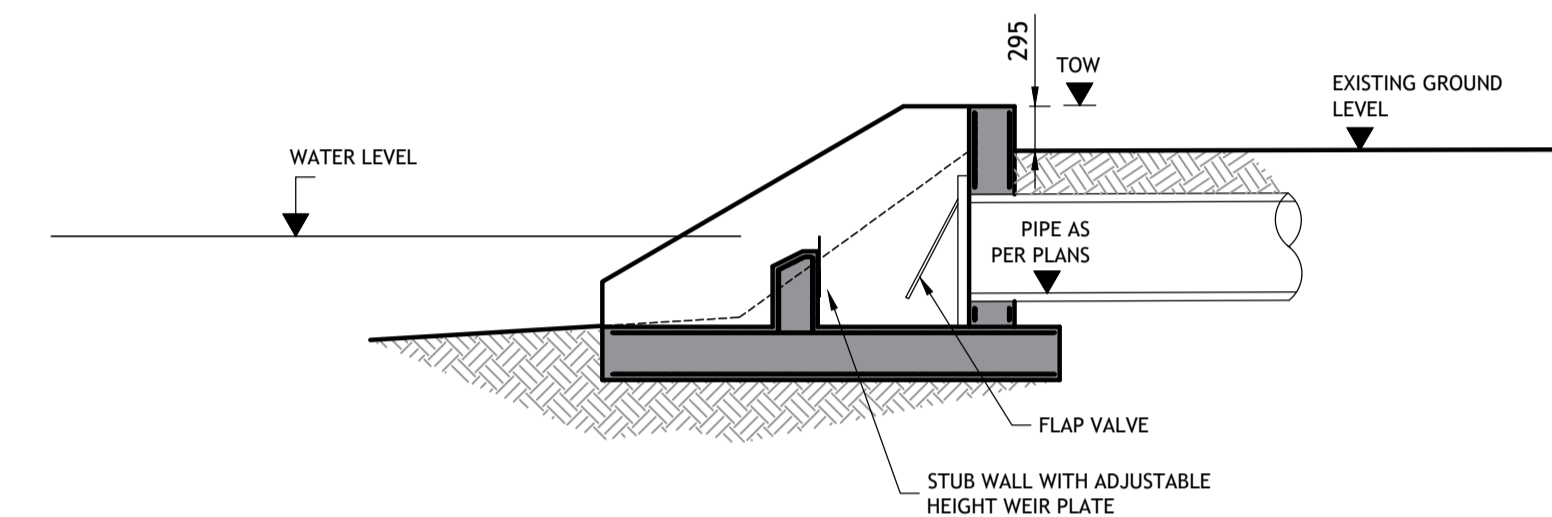
PIPE BED & SURROUND UNDER BUILDING (CONCRETE BED AND SURROUND)
SCALE 1:20

TRENCH WIDTHS AND DIMENSIONS FOR FOUL AND SURFACE WATER DRAINS				
PIPE DIAMETER (mm)	"Do" (mm)	"b" (mm)	"c" (mm)	TRENCH WIDTH (mm)
100	150	150	150	600
150	210	150	150	700
225	300	150	150	750
300	400	150	150	850
375	480	150	150	950

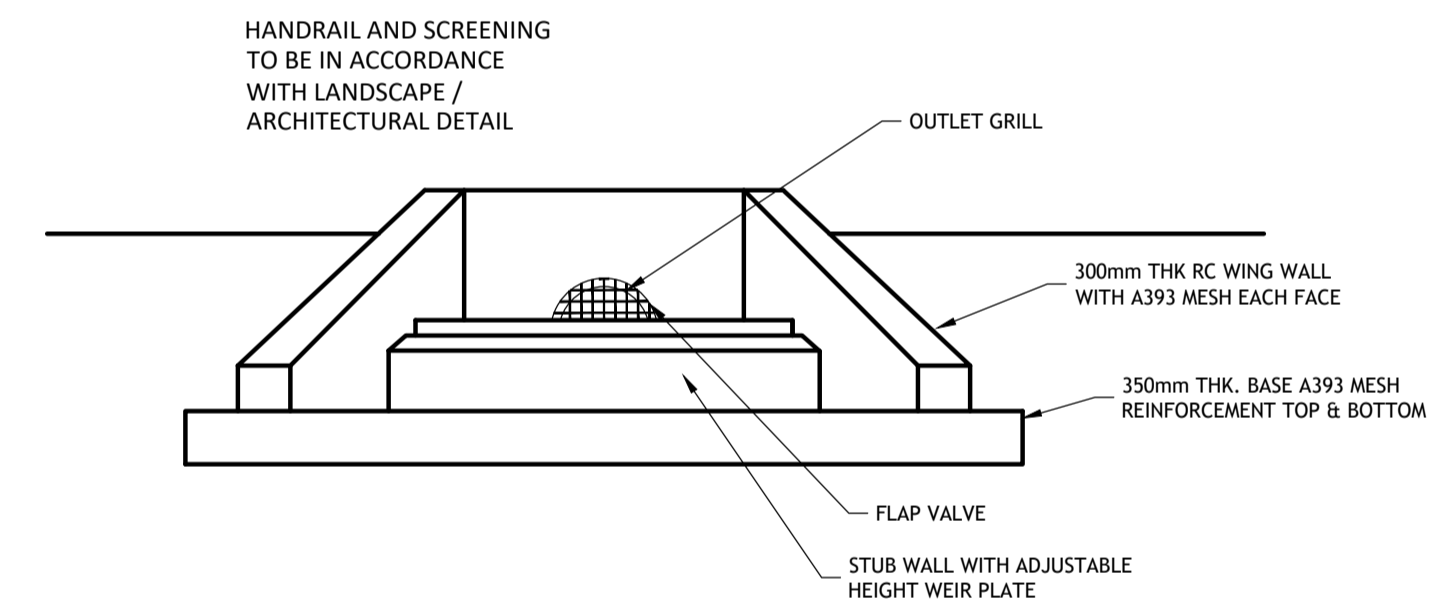


TYPICAL OUTLET HEADWALL - PLAN
SCALE 1:50

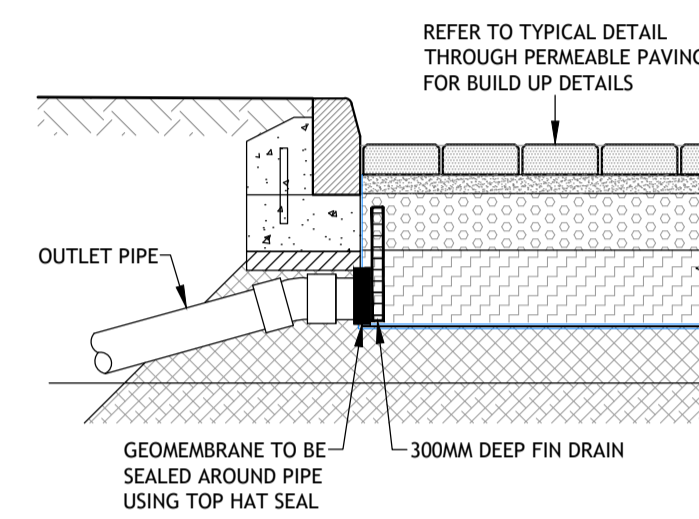
- NOTES:**
1. ALL DIMENSIONS IN MILLIMETERS UNLESS NOTED OTHERWISE.
 2. DO NOT SCALE FROM THIS DRAWING, USE FIGURED DIMENSIONS ONLY.
 3. ALL STEELWORK TO BE HOT DIPPED GALVANISED AFTER FABRICATION TO B.S. 729, TO A MINIMUM DENSITY OF 720 g/m.sq.
 4. REFER TO DRAWING 192229-PUNCH-XX-XX-DR-C-0101 TO 0104 FOR PROPOSED DRAINAGE LAYOUT



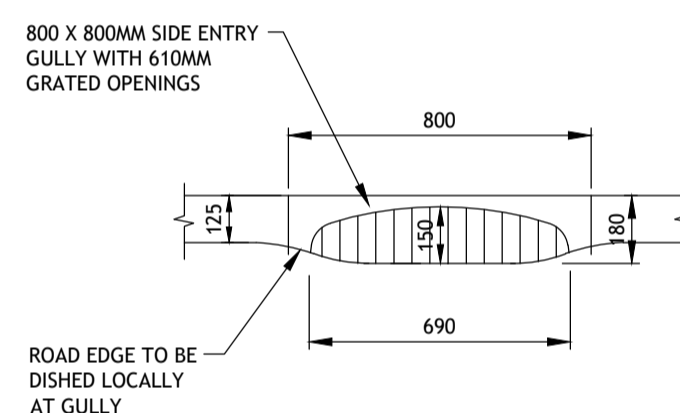
TYPICAL OUTLET HEADWALL - SECTION
SCALE 1:50



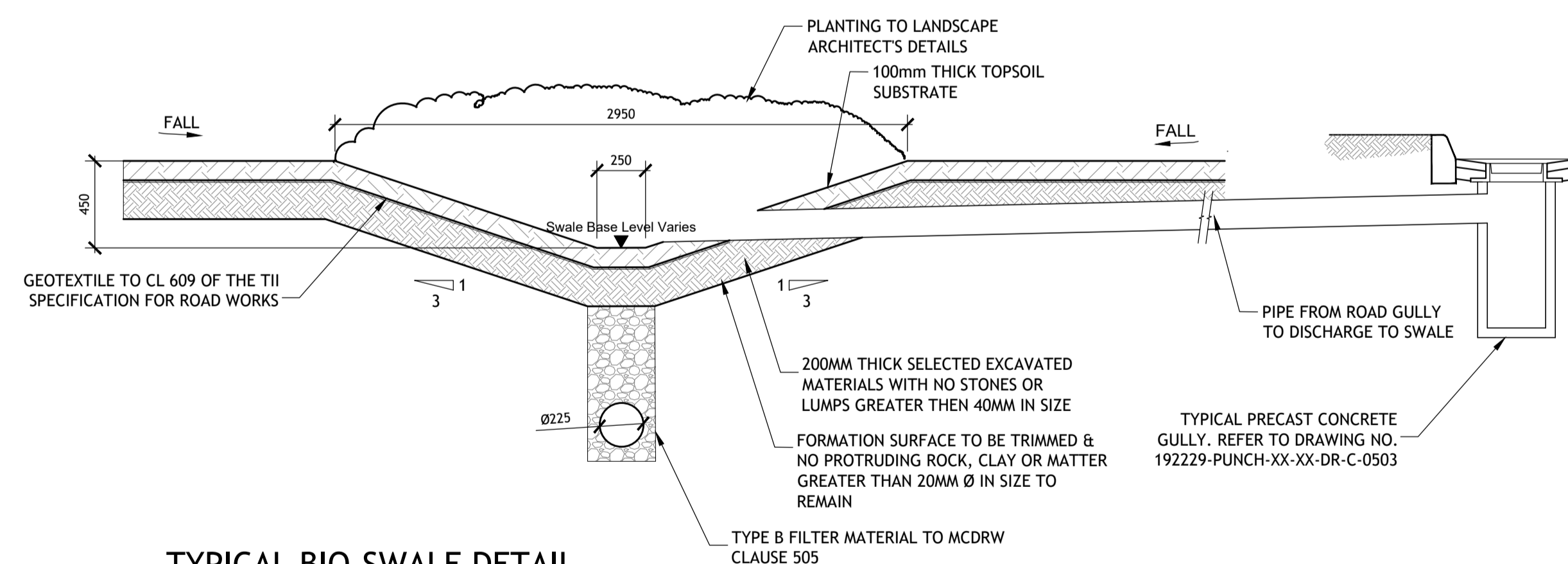
TYPICAL OUTLET HEADWALL - FRONT ELEVATION
SCALE 1:50



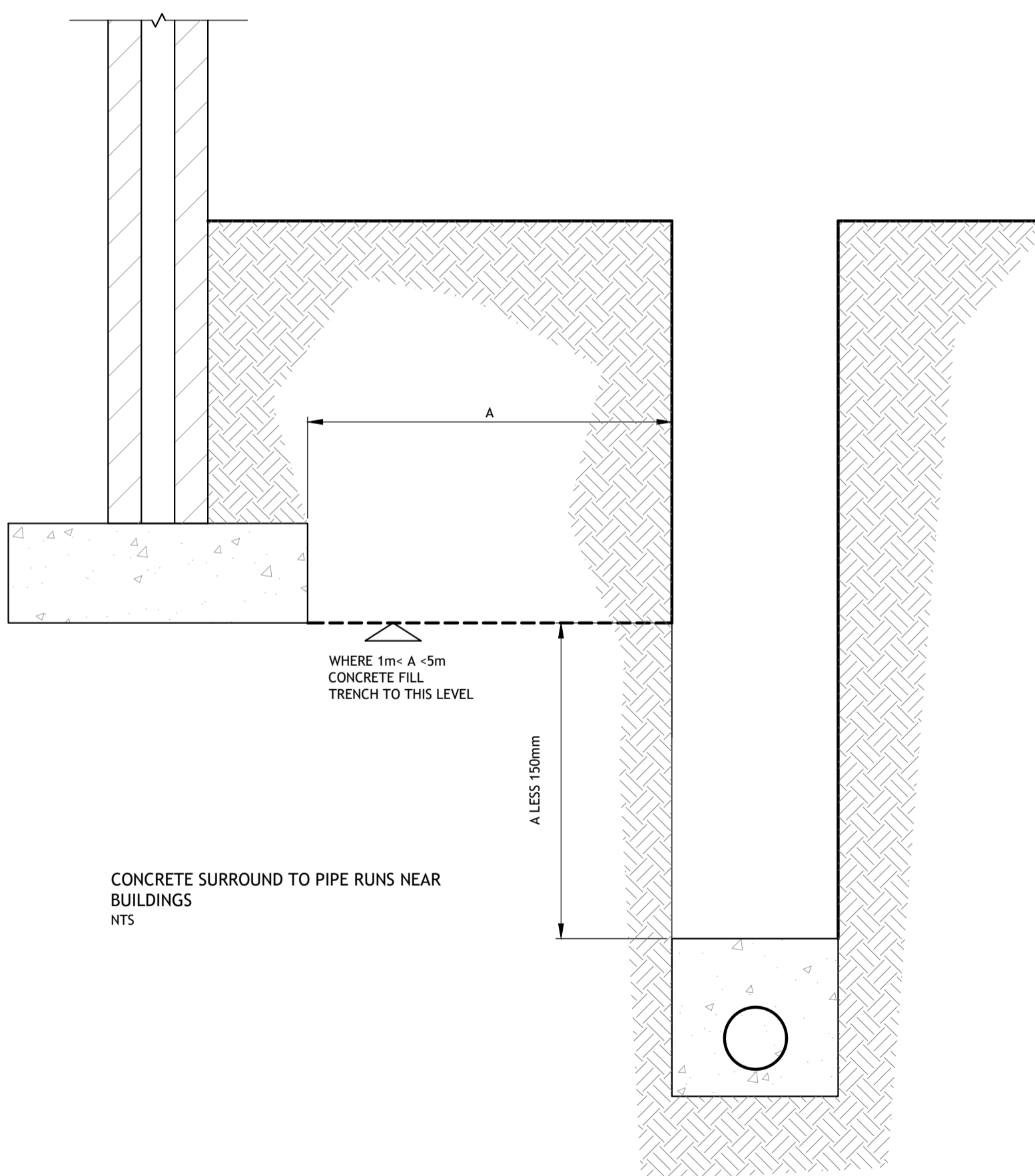
TYPICAL DETAIL AT INTERFACE BETWEEN PERMEABLE PAVING AND SOFT LANDSCAPING AT DISCHARGE POINT
SCALE 1:20



SIDE ENTRY GULLY DETAIL
SCALE 1:20



TYPICAL BIO-SWALE DETAIL
SCALE 1:25



CONCRETE SURROUND TO PIPE RUNS NEAR BUILDINGS
NTS

CONCRETE SURROUND TO PIPE RUNS NEAR BUILDINGS
NTS

Rev	Amendment	By	Date	Rev	Amendment	By	Date	Client:
C01	ISSUED FOR PLANNING	IBS	2022-03-23					
C02	ISSUED FOR PLANNING	IBS	2022-03-31					