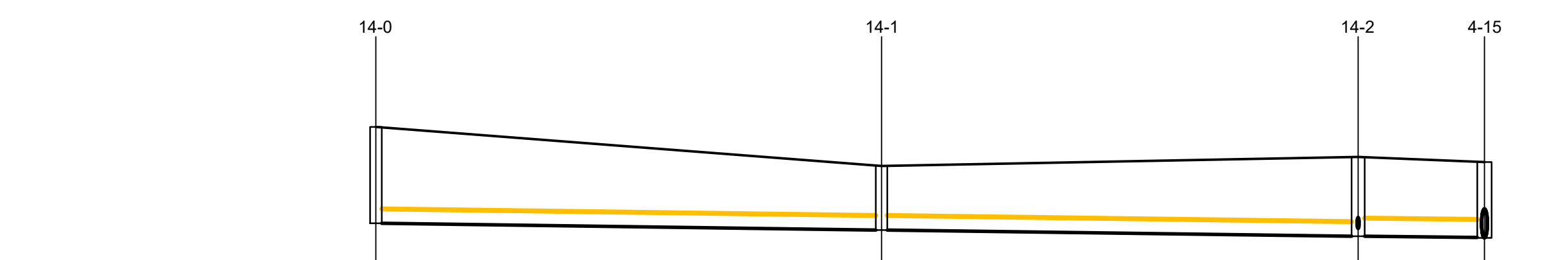


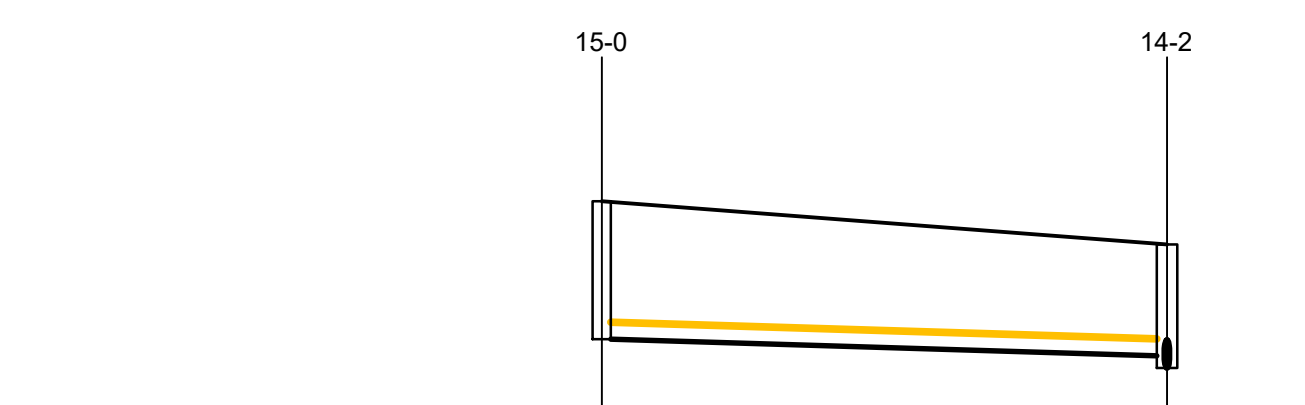
Vert exaggeration = 5.0 Datum = 84.0

Link Name	13.000
Section Type	225mm
Slope	1:169.5
Cover Level	87.600 87.400
Invert Level	86.175 86.001
Length	29.498



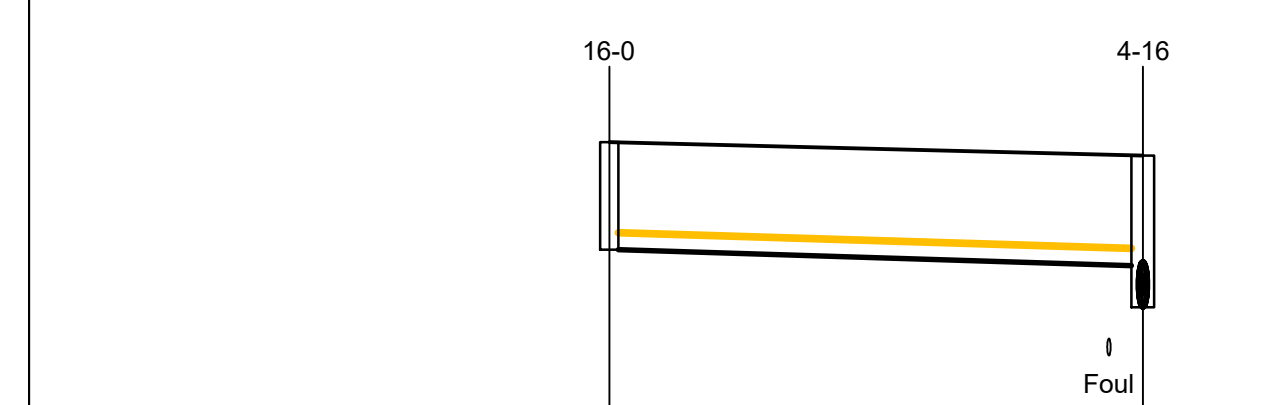
Vert exaggeration = 5.0 Datum = 84.0

Link Name	14.000	14.001	14.002
Section Type	300mm	300mm	375mm
Slope	1:380.0	1:380.0	1:504.0
Cover Level	88.142 87.334	87.521 87.418	
Invert Level	86.153 86.016 86.016	85.887 85.887	85.861
Length	52.189	49.191	13.040



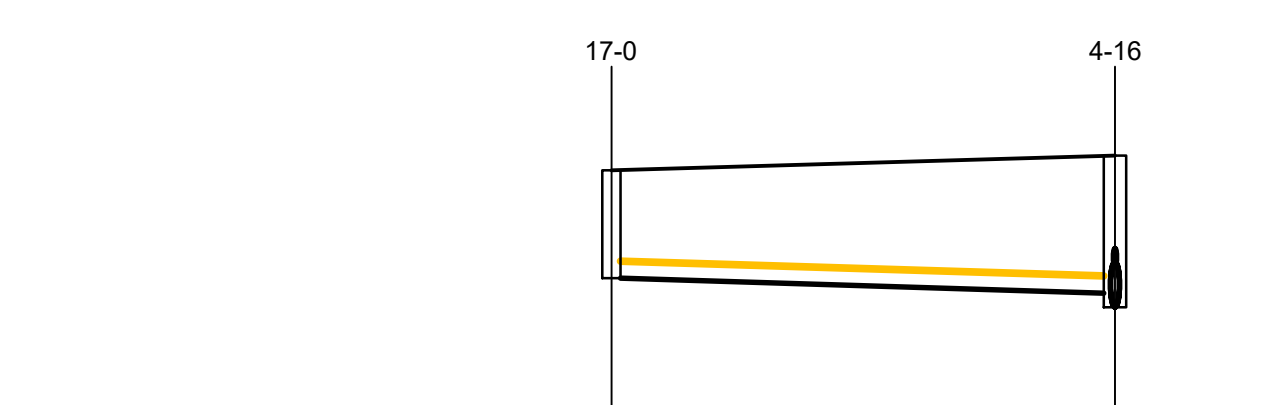
Vert exaggeration = 5.0 Datum = 84.0

Link Name	15.000
Section Type	225mm
Slope	1:169.1
Cover Level	88.094 87.521
Invert Level	86.269 86.048
Length	37.380



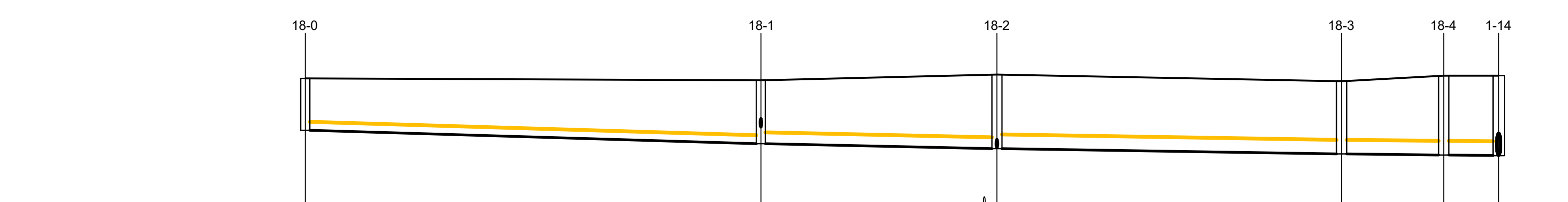
Vert exaggeration = 5.0 Datum = 84.0

Link Name	16.000
Section Type	225mm
Slope	1:169.7
Cover Level	88.000 87.823
Invert Level	86.575 86.367
Length	35.288



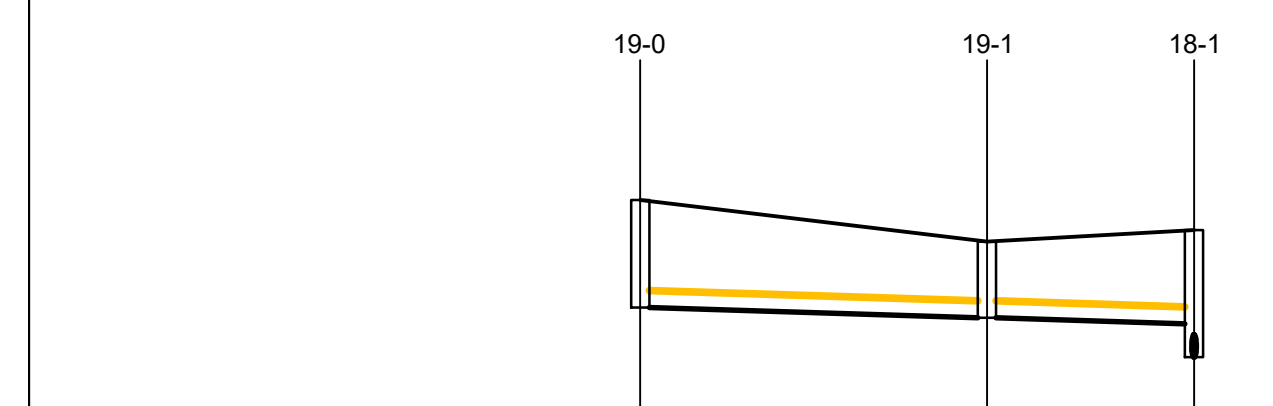
Vert exaggeration = 5.0 Datum = 84.0

Link Name	17.000
Section Type	225mm
Slope	1:169.0
Cover Level	87.625 87.823
Invert Level	86.200 86.003
Length	33.300



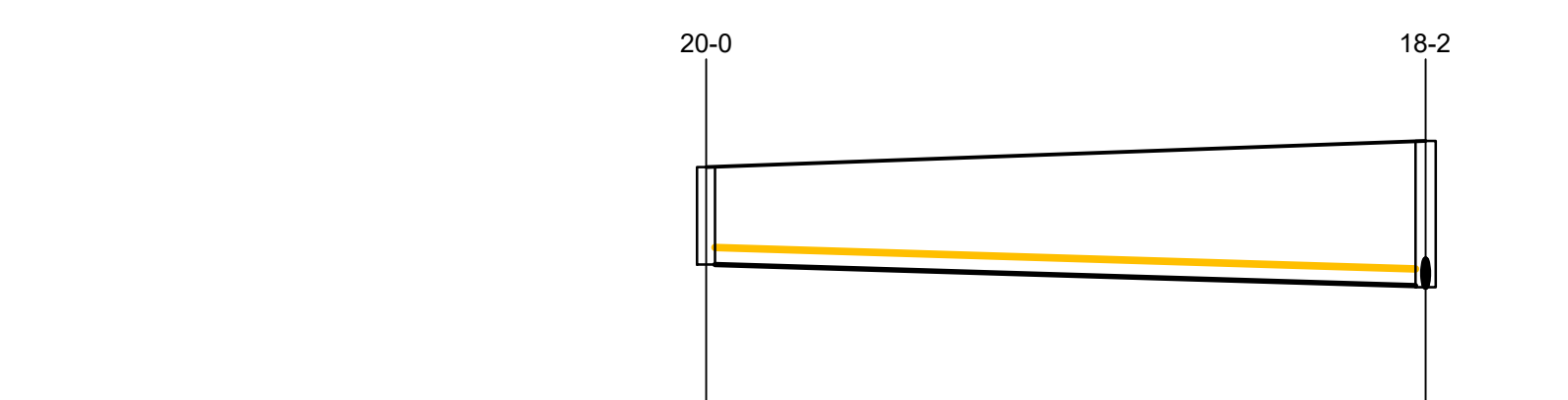
Vert exaggeration = 5.0 Datum = 84.0

Link Name	18.000	18.001	18.002	18.003	18.004
Section Type	225mm	300mm	375mm	375mm	375mm
Slope	1:169.6	1:243.2	1:322.5	1:504.0	1:504.0
Cover Level	87.900 87.750	87.900 87.724	87.900 87.871	87.871 87.871	
Invert Level	86.425 86.068 86.068	85.939 85.939	85.770 85.770	85.756 85.756	
Length	60.538	31.368	45.795	13.576	7.300



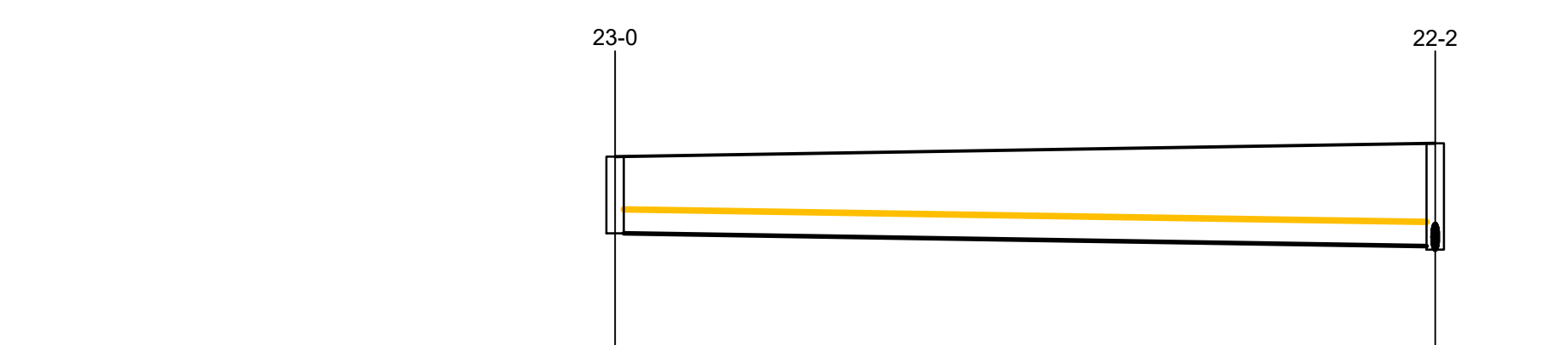
Vert exaggeration = 5.0 Datum = 85.0

Link Name	19.000	19.001
Section Type	225mm	225mm
Slope	1:169.8	1:169.1
Cover Level	88.150 87.600	87.500 87.750
Invert Level	86.725 86.590 86.590	86.509 86.509
Length	22.929	13.696



Vert exaggeration = 5.0 Datum = 84.0

Link Name	20.000
Section Type	225mm
Slope	1:169.4
Cover Level	87.550 87.900
Invert Level	86.244 85.959
Length	48.292



Vert exaggeration = 5.0 Datum = 85.0

Link Name	23.000
Section Type	375mm
Slope	1:324.2
Cover Level	88.357 88.564
Invert Level	87.161 86.964
Length	63.858

Rev	Amendment	By	Date	Rev	Amendment	By	Date	Client:
C01	ISSUED FOR PLANNING	IBS	2022-02-08					
C02	ISSUED TO IW FOR SODA	IBS	2022-03-22					
C01	ISSUED FOR PLANNING	IBS	2022-03-31					